

State of California
AIR RESOURCES BOARD

EXECUTIVE ORDER D-219
Relating to Exemptions Under Section 27156
of the Vehicle Code

FUEL TOOL, INC.
FUEL-CAT TOOL

WHEREAS, Vehicle Code Section 27156 and Title 13 California Code of Regulations (hereafter "CCR") Section 2222(e), authorize the California Air Resources Board (ARB) and its Executive Officer to exempt add-on and modified parts from the prohibitions of Vehicle Code Section 27156.

WHEREAS, Fuel Tool, Inc. has applied to the ARB for exemption from the prohibitions of Vehicle Code Section 27156 for the Fuel-Cat Tool.

WHEREAS, pursuant to the authority vested in the Executive Officer by Health and Safety Code Section 39515 and in the Chief, Mobile Source Division by Health and Safety Code Section 39516 and Executive Order G-45-5, the Air Resources Board finds:

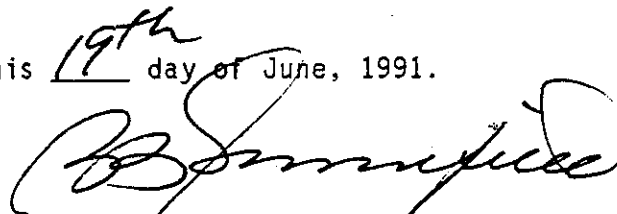
1. The Fuel-Cat Tool is an add-on device attached to the fuel line in a motor vehicle.
2. The Fuel-Cat-Tool is intended for use with a required motor vehicle pollution control system.
3. The Fuel-Cat Tool by being installed in the fuel line alters the original design of a motor vehicle pollution control system.
4. The Fuel-Cat Tool is a device subject to the prohibitions of Vehicle Code Section 27156 and an add-on part as defined by Title 13 CCR Section 1900(b)(1).
5. The Fuel-Cat Tool does not reduce the effectiveness of any required motor vehicle pollution control device.
6. The Air Resources Board, in the exercise of technical judgement, is aware of no basis on which the Fuel-Cat Tool will provide an increase in fuel economy or a reduction in exhaust emissions.
7. It has not been determined what effect use of the Fuel-Cat Tool may have on any warranty, either expressed or implied, by the manufacturer of a motor vehicle on which the device is installed.
8. The Fuel-Cat Tool is not a certified motor vehicle pollution control device pursuant to Health and Safety Code Section 43644.
9. The Air Resources Board by granting an exemption to Fuel Tool, Inc. for the Fuel-Cat Tool does not recommend or endorse in any way the Fuel-Cat Tool for emissions reduction, fuel economy, or any other purpose.

IT IS HEREBY RESOLVED that the Fuel-Cat Tool is exempt from the prohibitions of Vehicle Code Section 27156 for installation on 1990 and earlier model-year vehicles powered with gasoline or diesel internal combustion engines subject to the following conditions:

1. This exemption shall not apply to any device, apparatus, or mechanism advertised, offered for sale or sold with, or installed on, a motor vehicle prior to or concurrent with transfer to an ultimate purchaser.
2. No changes are permitted to the device as described in the application for exemption. Any changes to the device, applicable model year, or other factors addressed in this order must be evaluated and approved by the Air Resources Board prior to marketing in California.
3. Marketing of this device using an identification other than that shown in this Executive Order or marketing of this device for an application other than those listed in the Executive Order shall be prohibited unless prior approval is obtained from the Air Resources Board. Exemption of this product shall not be construed as an exemption to sell, offer for sale, or advertise any component of the product as an individual device.
4. Any oral or written references to this Executive Order or its content by Fuel Tool, Inc., its principals, agents, employees, distributors, dealers, or other representatives must include the disclaimer that the Executive Order or the exemption it provides is not an endorsement or approval of any fuel economy or emissions reduction claims for the Fuel-Cat Tool and is only a finding that the device is exempt from the prohibitions of Vehicle Code Section 27156.
5. No claim of any kind, such as "Approved by the Air Resources Board" may be made with respect to the action taken herein in any advertising or other oral or written communication.

Violation of any of the above conditions shall be grounds for revocation of this order. The order may be revoked only after ten day written notice of intention to revoke the order, in which period the holder of the order may request in writing a hearing to contest the proposed revocation. If a hearing is requested, it shall be held within ten days of receipt of the request and the order may not be revoked until a determination after hearing that grounds for revocation exist.

Executed at El Monte, California, this 19th day of June, 1991.



R. B. Summerfield
Assistant Division Chief
Mobile Source Division

State of California
AIR RESOURCES BOARD

EVALUATION OF FUEL TOOL INC.'S FUEL-CAT TOOL FOR
EXEMPTION FROM THE PROHIBITIONS OF VEHICLE CODE SECTION 27156
IN ACCORDANCE WITH SECTION 2222, TITLE 13, OF THE
CALIFORNIA CODE OF REGULATIONS

June 1991

June, 1991

State of California
AIR RESOURCES BOARD

EVALUATION OF FUEL TOOL INC.'S FUEL-CAT TOOL FOR
EXEMPTION FROM THE PROHIBITIONS OF VEHICLE CODE SECTION 27156
IN ACCORDANCE WITH SECTION 2222, TITLE 13, OF THE
CALIFORNIA CODE OF REGULATIONS

by

Mobile Source Division
State of California
Air Resources Board
9528 Telstar Avenue
El Monte, CA 91731-2990

(This report has been reviewed by the staff of the California Air Resources Board and approved for publication. Approval does not signify that the contents necessarily reflect the views and policies of the Air Resources Board, nor does mention of trade names or commercial products constitute endorsement or recommendation for use.)

SUMMARY

Fuel Tool, Inc. of 5209 South Hazelton Lane, Tempe, Arizona 85283, has applied for exemption from the prohibitions in Section 27156 of the California Vehicle Code for their Fuel-Cat Tool (FCT) Model PC-3 device. The device is designed for installation on 1991 and older model year gasoline and diesel powered light-duty vehicles.

Previously, the Air Resources Board exempted similar devices; "Moleculator Fuel Energizer" and "Fuel Dominator" by Internal Energy Management Corporation and "Top Eliminator" by Top Eliminator, Inc.. Based on the engineering evaluation of the device and previous exemptions of similar devices, the staff believes that FCT will not have any adverse effect on exhaust emissions from gasoline and diesel powered vehicles.

The staff recommends that the FCT device be exempted from the prohibitions in Vehicle Code Section 27156 and that Executive Order D-219 be issued.

TABLE OF CONTENTS

	Page Number
SUMMARY	i
CONTENTS	ii
I. INTRODUCTION	1
II. CONCLUSION	1
III. RECOMMENDATION	1
IV. DEVICE DESCRIPTION	1
V. DISCUSSION	2
APPENDIX A. INSTALLATION INSTRUCTIONS	3

EVALUATION OF FUEL TOOL, INC'S FUEL-CAT TOOL FOR EXEMPTION FROM THE PROHIBITIONS OF VEHICLE CODE SECTION 27156 IN ACCORDANCE WITH SECTION 2222, TITLE 13, OF THE CALIFORNIA CODE OF REGULATIONS

I. INTRODUCTION

Fuel Tool, Inc. of 5209 South Hazelton Lane, Tempe, Arizona 85283, has applied for exemption from the prohibitions in Section 27156 of the California Vehicle Code for their Fuel-Cat Tool (FCT) model PC-3 device. The device is designed for installation on 1991 and older model year gasoline and diesel powered light-duty vehicles.

The applicant submitted specifications of the device for evaluation.

II. CONCLUSIONS

Previously the Air Resources Board (ARB) exempted similar devices: "Molecular Fuel Energizer" and "Fuel Dominator" by Internal Energy Management Corporation and "Top Eliminator" by Top Eliminator, Inc. Based on the engineering evaluation of the device and prior exemptions issued to devices that operate in a manner similar to the FCT, the staff believes that the FCT device will not have any adverse effects on the exhaust emissions from gasoline and diesel powered vehicles.

III. RECOMMENDATION

The staff recommends Fuel Tool, Inc. be granted an exemption from the prohibitions in California Vehicle Code Section 27156 for its Fuel-Cat Tool and that Executive Order D-219 be issued.

IV. DEVICE DESCRIPTION

The FCT device is a cylindrical shaped device with two cores, one portion of the treatment core is made of aluminum, and the other portion is made of an alloy comprised of aluminum, copper, tin, zinc, antimony, nickel,

lead, sulfur and phosphorus, with trace amounts of manganese, iron and silicon. The device is narrowed at both ends in order to match the fuel lines. The device is 5.5" long with the core length of 3 and 1/4" and an inner core diameter of 1". The installation instructions are shown in Appendix A.

The applicant claims that when the device is installed on a vehicle's fuel line, it imparts an electrostatic charge to the fuel by exposing the fuel to components found in an electrically insulated treatment chamber. This causes a change in the molecular structure of the fuel, which in turn induces more efficient burning of the fuel, improves engine performance, reduces exhaust gases and improves fuel mileage.

The ARB did not perform any emission or fuel economy tests to substantiate the claims made by the manufacturer. It is the staff's opinion that the technical principles underlying the stated function of the device are not capable of producing any effects on emissions and fuel economy.

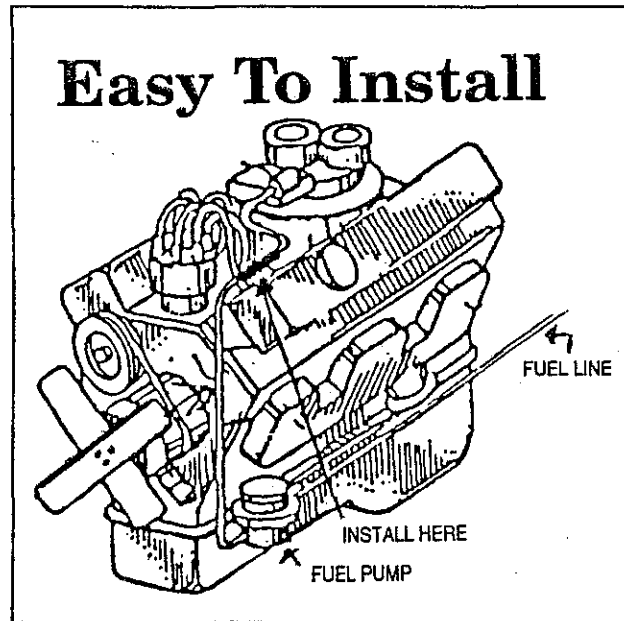
V. DISCUSSION

Previously, the ARB exempted similar devices: "Moleculator Fuel Energizer" and "Fuel Dominator" by International Energy Management Corp. and "Top Eliminator" by Top Eliminator, Inc. Because of the previous exemption of similar devices with the same operating principle and the fact that qualifying for an exemption is based on not adversely affecting exhaust emissions, the staff recommends that Fuel-Tool, Inc. be granted an exemption as requested.

APPENDIX A

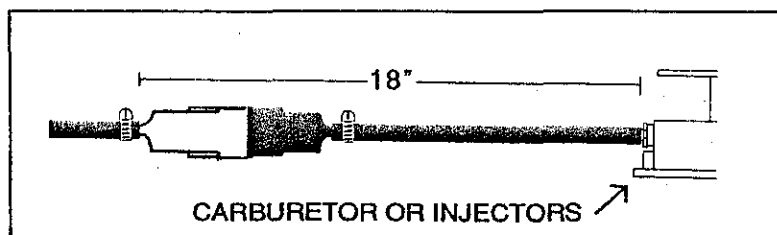
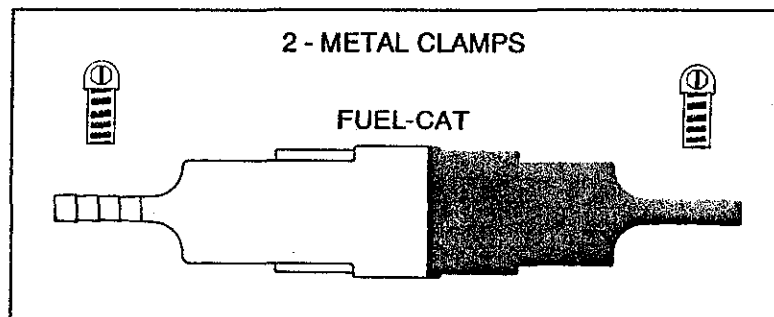
IV. INSTALLATION

- The Fuel-Cat is installed in the fuel line between the fuel pump and point of injection of fuel into carburetor or fuel injectors. The tool should be placed within 18 inches of carburetor or fuel injectors for maximum effectiveness.



Rubber Fuel Line: If the fuel line is rubber, cut and insert both ends of tool into fuel line and secure both ends with metal clamps.

REQUIRED PARTS



Rigid Fuel Line: If fuel line is rigid (metal or plastic) cut fuel line from end of tool to point of injection of fuel into carburetor or fuel injectors. Install new proper size rubber fuel line hose to end of tool and point of injection of fuel. Secure both ends with metal clamps. Attach proper size rubber fuel line hose to severed fuel line and remaining end of tool. secure both ends with metal clamps.

REQUIRED PARTS

