

State of California
AIR RESOURCES BOARD

EXECUTIVE ORDER D-284-1
Relating to Exemptions Under Section 27156
of the Vehicle Code

TRUST COMPANY, LTD.
AIRINX AIR FILTER

Pursuant to the authority vested in the Air Resources Board by Section 27156 of the Vehicle Code; and

Pursuant to the authority vested in the undersigned by Section 39515 and Section 39516 of the Health and Safety Code and Executive Order G-45-5;

IT IS ORDERED AND RESOLVED: That the installation of the Airinx air filter manufactured by Trust Co, Ltd. of 3155-5 Odai, Shibayama, Sanbu-Gun, Chiba 289-16, Japan has been found not to reduce the effectiveness of the applicable vehicle pollution control system and, therefore, is exempt from the prohibitions of Section 27156 of the Vehicle Code for the vehicles listed in Exhibit 1, which is attached hereto and incorporated herein.

This Executive Order is valid provided that the installation instructions for the Airinx air filter will not recommend tuning the vehicle to specifications different from those submitted by Trust Company, Ltd.

Changes made to the design or operating conditions of the Airinx air filter, as exempt by the Air Resources Board, which adversely affect the performance of a vehicle's pollution control system shall invalidate this Executive Order.

Marketing of the Airinx air filter using any identification other than that shown in this Executive Order or marketing of the Airinx air filter for an application other than those listed in this Executive Order shall be prohibited unless prior approval is obtained from the Air Resources Board. Exemption of the Airinx air filter shall not be construed as exemption to sell, offer for sale, or advertise any component of the kit as an individual device.

This Executive Order does not constitute any opinion as to the effect that the use of the Airinx air filter may have on any warranty either expressed or implied by the vehicle manufacturer.

This Executive Order is granted based on an evaluation of emissions impact if emissions tests were conducted in accordance with Cold-Start CVS-75 Federal Test Procedure. However, the Air Resources Board finds that reasonable grounds exist to believe that use of the Airinx air filter may adversely affect emissions of motor vehicles when operating under conditions outside the parameters of the previously prescribed test procedures. Accordingly, the Air Resources Board reserves the right to conduct additional emission tests, in the future, as such tests are developed, that will more adequately measure emissions from all cycle phases. If such test results demonstrate that the Airinx air filter adversely affects emissions during off-cycle conditions (defined as those conditions which are beyond the parameters of the Cold-Start CVS-75 Federal Test Procedure), this Executive Order shall be effectively rescinded as of the date the test results are validated. Further, if such test results or other evidence provides the Air Resources Board with reason to suspect that the Airinx air filter will affect the durability of the emission control, Trust Company, Ltd. shall be required to submit durability data to show that the durability of the vehicle emissions control system is not, in fact, affected and/or that the add-on or modified part demonstrates adequate durability.

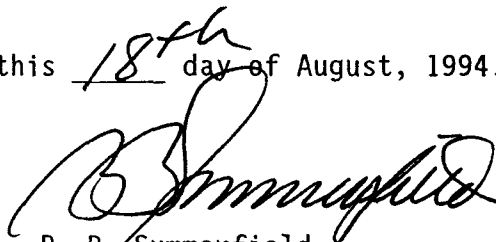
In addition to the foregoing, the Air Resources Board reserves the right in the future to review this Executive Order and the exemption provided herein to assure that the exempted add-on or modified part continues to meet the standards and procedures of Title 13, California Code of Regulations, Section 2222, et seq.

THIS EXECUTIVE ORDER DOES NOT CONSTITUTE A CERTIFICATION, ACCREDITATION, APPROVAL, OR ANY OTHER TYPE OF ENDORSEMENT BY THE AIR RESOURCES BOARD OF ANY CLAIMS OF THE APPLICANT CONCERNING ANTI-POLLUTION BENEFITS OR ANY ALLEGED BENEFITS OF TRUST COMPANY, LTD.'S AIRINX AIR FILTER.

No claim of any kind, such as "Approved by the Air Resources Board" may be made with respect to the action taken herein in any advertising or other oral or written communication.

Violation of any of the above conditions shall be grounds for revocation of this order. The order may be revoked only after ten day written notice of intention to revoke the order, in which period the holder of the order may request in writing a hearing to contest the proposed revocation. If a hearing is requested, it shall be held within ten days of receipt of the request and the order may not be revoked until a determination after hearing that grounds for revocation exist.

Executed at El Monte, California, this 18th day of August, 1994.



R. B. Summerfield
Assistant Division Chief
Mobile Source Division

Exhibit 1

Greddy Performance Products of Trust Company, Ltd.
Airinx Air Filter

Part Number	Description
525001	Airinx Air Filter Assembly Type M
525010	Airinx Replacement Filter Type M
	<i>Type M Filter to be used with the following adapters:</i>
525101	Airinx Adapter: 1986 - 1992 Toyota Supra Turbo
525110	Airinx Adapter: 1991 - 1994 Toyota MR-2 SW20 Turbo
525159	Airinx Adapter: 1991 - 1994 Nissan 300ZX
525201	Airinx Adapter: 1987 - 1989 Mazda RX-7 Turbo
525202	Airinx Adapter: 1990 - 1991 Mazda RX-7 Turbo
525120	Airinx Adapter: 1993 - 1994 Toyota Supra Turbo
525002	Airinx Air Filter Assembly Type S
525011	Airinx Replacement Filter Type S
	<i>Type S Filter to be used with the following adapters:</i>
525353	Airinx Adapter: 1990 - 1991 Acura Integra HS-03
525355	Airinx Adapter: 1993 - 1994 Honda Prelude HS-05
525451	Airinx Adapter: 1989 - 1994 Mazda Miata MS-01
525203	Airinx Air Filter Assembly and Adapter: 1993 - 1994 Mazda RX-7 Twin Turbo

Appendix 1

Greddy Performance Products of Trust Company, Ltd. Airinx Air Filter

Part Number	Description
525001	Airinx Air Filter Assembly Type M
525010	Airinx Replacement Filter Type M
	<i>Type M Filter to be used with the following adapters:</i>
525101	Airinx Adapter: 1986 - 1992 Toyota Supra Turbo
525110	Airinx Adapter: 1991 - 1994 Toyota MR-2 SW20 Turbo
525159	Airinx Adapter: 1991 - 1994 Nissan 300ZX
525201	Airinx Adapter: 1987 - 1989 Mazda RX-7 Turbo
525202	Airinx Adapter: 1990 - 1991 Mazda RX-7 Turbo
525120	Airinx Adapter: 1993 - 1994 Toyota Supra Turbo
525002	Airinx Air Filter Assembly Type S
525011	Airinx Replacement Filter Type S
	<i>Type S Filter to be used with the following adapters:</i>
525353	Airinx Adapter: 1990 - 1991 Acura Integra HS-03
525355	Airinx Adapter: 1993 - 1994 Honda Prelude HS-05
525451	Airinx Adapter: 1989 - 1994 Mazda Miata MS-01
525203	Airinx Air Filter Assembly and Adapter: 1993 - 1994 Mazda RX-7 Twin Turbo

APPENDIX 2
Airinx AX-S
Instruction Manual

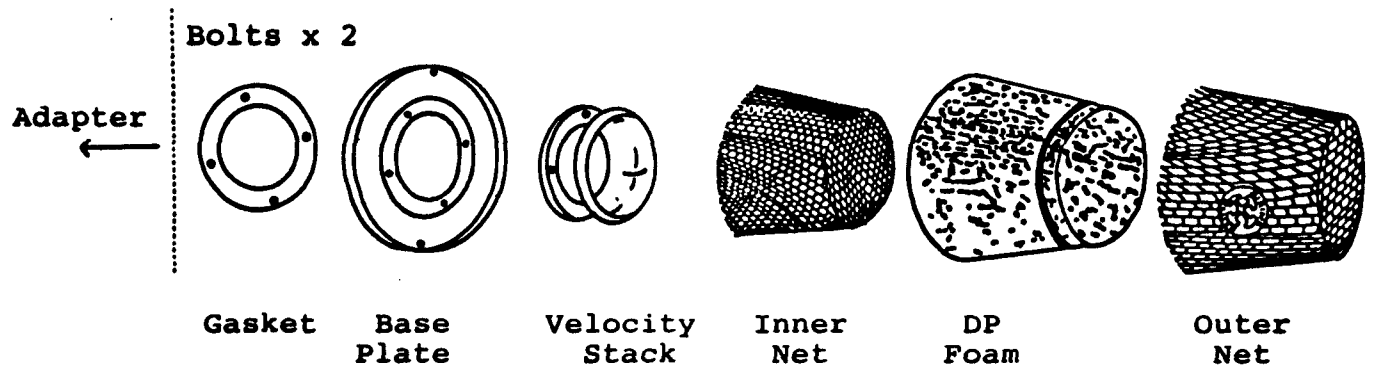
!! Thank you for making a winning choice
in choosing GREddy Performance Products !!

Features

- Great enhancement in intake efficiency.
- Better engine response.
- Dual pile urethane foam for improved filtering.
- Light weight ABS plastic velocity stack.
- Adapters are available for various application.

1)

Parts List



2)

Instructions

- 2.1) Attach the adapter (sold separately), gasket, base plate, and velocity stack using four (4) allen head cap bolts.
- 2.2) Adapt the inner net, DP foam and outer net to the base plate.

Note

- End of inner net is sharp. Please handle carefully.
- Do not use any chemical to clean the DP foam. Replace DP foam (Sold Separately) as needed.

Airinx - Acura Integra '90 - '91

Part# 525353

Adapter# HS-03

Vehicle Model - Acura, Integra, DA-8

Engine Family - B16A

*Airinx filter required for this application is Type - S

Thank you for making a winning choice
in choosing GReddy Performance Products !!

1)

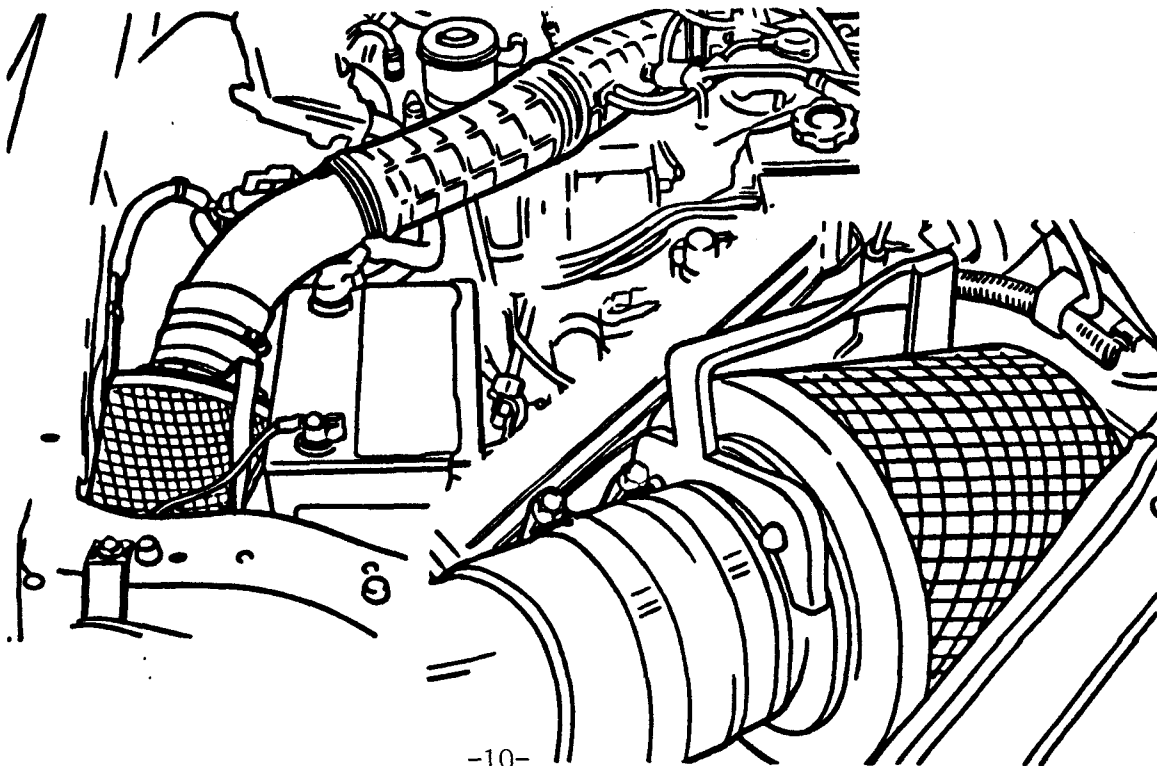
Parts List

Airinx Adapter	x 1	Inlet Pipe	x 1
Hose Clamps (#48)	x 2	Lock Washer (M6)	x 1
Special Bracket	x 2	Flat Washer (M6)	x 1
Rubber Hose (80mm - 60mm)	x 1		
Bolt 6 x 15mm, (1.0 pitch)			

2)

Installation

- 2.1) Remove the stock air filter box.
- 2.2) Assemble the AX-S base plate to the funnel and adapter by using the allen head cap bolt supplied with the filter. Attach the filter section to the base/adapter assembly.
- 2.3) Install and secure the filter/adapter assembly into the vehicle using the special bracket supplied.
(Refer to the illustration)



TOYOTA SUPRA (3.2 Turbo) - 92
 TH-01 PART # 525101



設計 DESIGNER	TRUST	品番 PART NO. INX-01001
製圖 DRAWER	RESEARCH&DEVELOPMENT	圖名 NAME AIR INX ADAPTOR.
第三角法 THIRD ANGLE PROJECTION	材料處理, 表面處理 HEAT SURFACE TREATMENT	材料名稱 AC.MA70
尺規 SCALE	1/1	適用車種 MODEL

TH-G
 3S-G

